



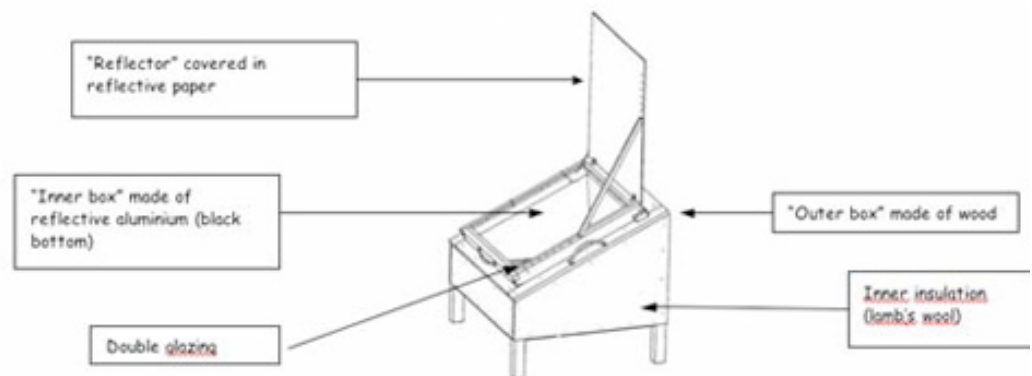
SHARING  
EXPERIENCES

We would like to thank Robert Chiron  
for the diagram of the solar cooker.  
<http://www.boliviainiti.org/>

## The solar cooker

BOLIVIA INTI

### Operating principle :



Operating principle: sunlight shines through the glass. It is absorbed by the black surface and the cooking recipient, and converted into heat (greenhouse effect). The infrared rays emitted cannot escape through the glass.

You can look at the  
synthetic note of this  
programme :

Bolivia Inti  
Fight poverty through  
the promotion of solar  
cooking

On the Website of the  
Fondation Ensemble  
[www.fondationensemble.org](http://www.fondationensemble.org)

